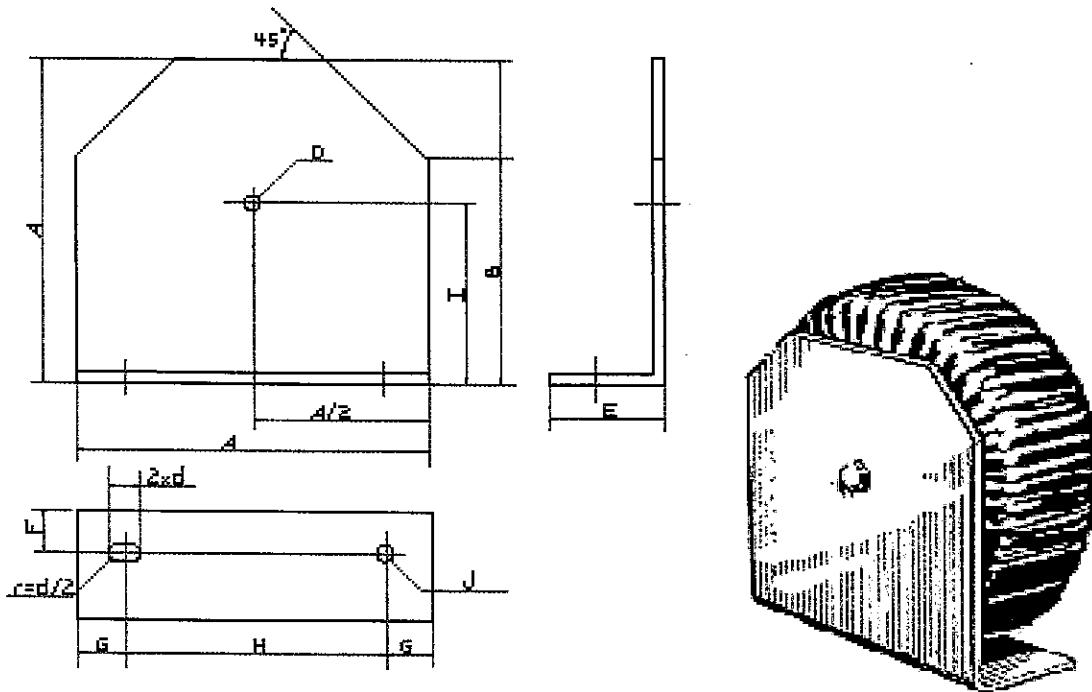


L-BRACKET

The L-Bracket is made of cold rolled 1.5 mm (.059") steel. Our L-Bracket is available in six sizes for power ratings up to 600VA. The L-Bracket comes with two rubber pads and one steel washer for mounting the transformer on the bracket. UL listed terminal blocks are optional.



DIMENSIONS ON THE L-BRACKETS

SIZE	A	B	C	D	E	F	G	H	I	J
L-15	2.72	1.94	.77	.165	1.00	.39	.37	1.97	1.41	.165
L-30	3.15	2.25	.90	.209	1.00	.39	.39	2.36	1.65	.166
L-50	3.58	2.56	1.03	.209	1.00	.39	.41	2.76	1.87	.167
L-120	4.02	2.86	1.15	.209	1.00	.39	.43	3.15	2.09	.168
L-300	4.88	3.48	1.41	.248	1.30	.59	.47	3.94	2.52	.244
L-625	5.59	3.98	1.61	.248	1.77	.98	.53	4.53	2.87	.244